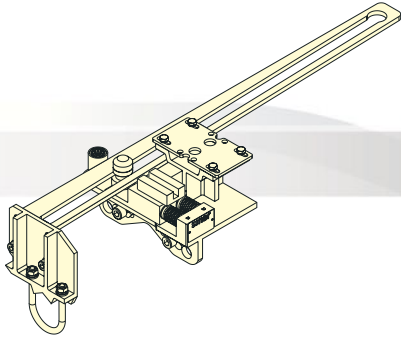
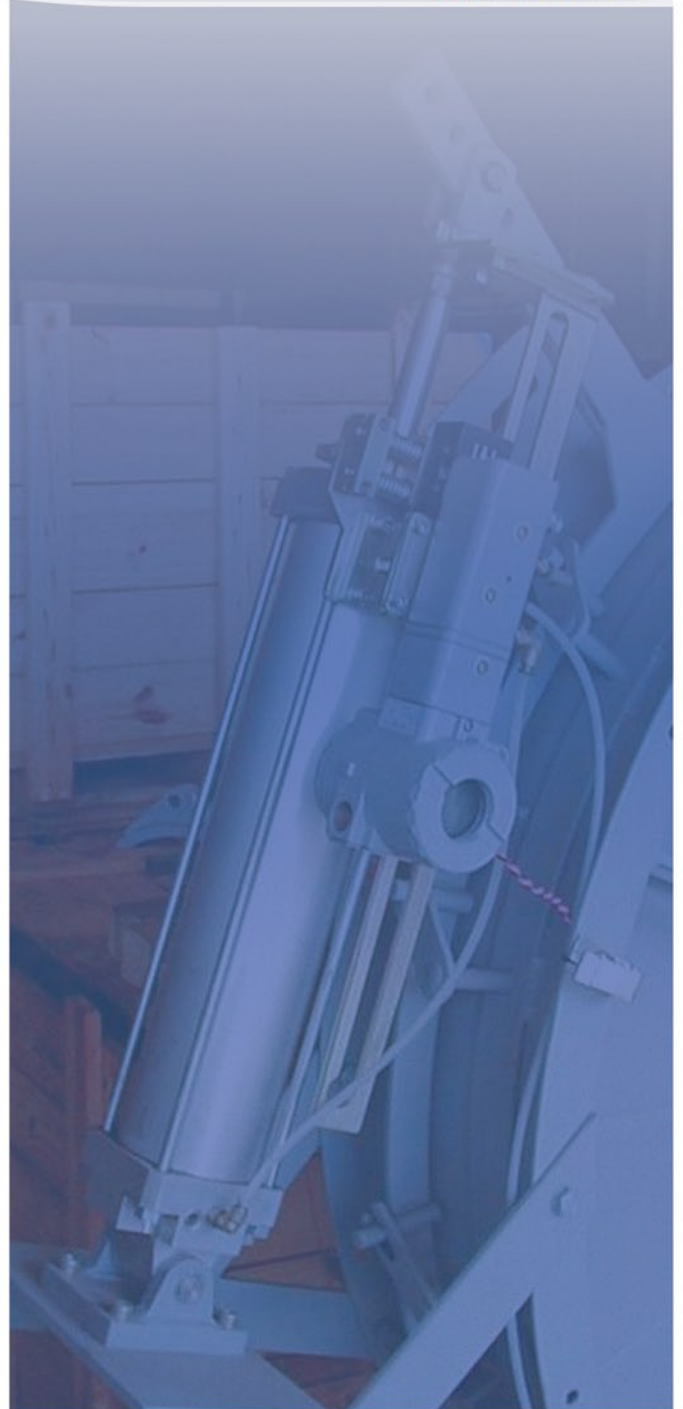


BFY-CL

COUPLING DEVICE



- **Easy installation**
- **Available in carbon and stainless steel**
- **Diagnostics through the FY family positioner**
- **Applications diversity**



smar

BFY-CL is a coupling device for the FY family of Smar positioners, designed for applications in several different models of final control elements.

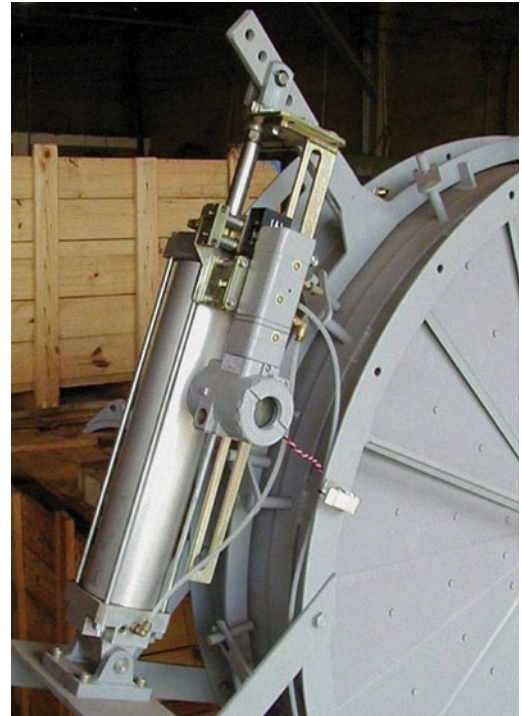
BFY-CL attends to the needs of modulating controls for processes requiring strokes longer than 100 mm in the final control element.

The operation principle of BFY-CL is based on the oblique split rule, reducing a original long stroke to a short one, orthogonal to the original travel.

The BFY applications are many. From the modulation in control cylinders of long stroke to acting as floodgates of high capacity.

The BFY-CL is used with the FY301 / FY302 / FY303 / FY400 Smar positioners – presented in HART®/4-20 mA, FOUNDATION fieldbus™ and PROFIBUS PA communication protocol versions.

- Easy installation;
- Available in carbon and stainless steel;
- Diagnostics through the FY family positioner;
- Applications diversity.



Technical Specifications

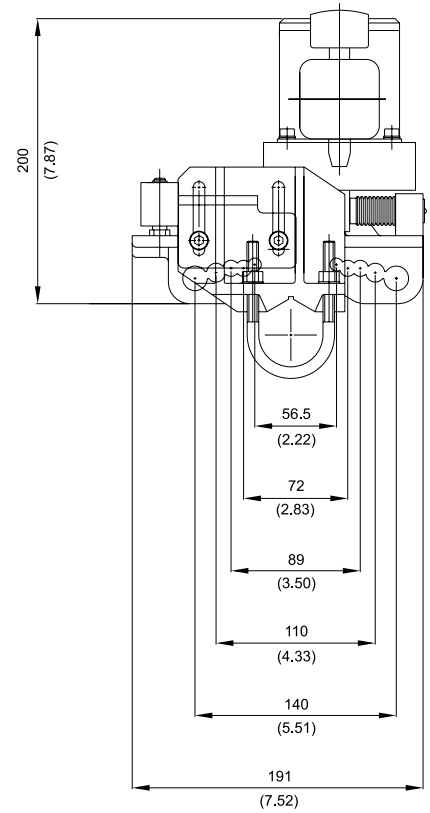
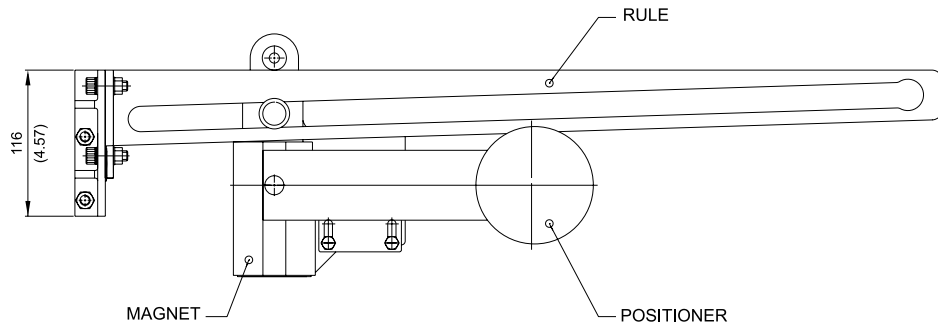
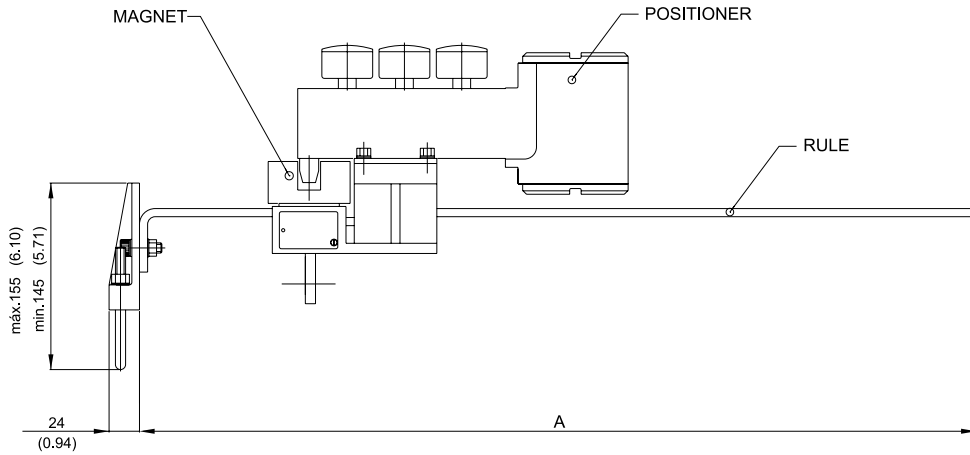
- For use in ISO6431 serie cylinders.
- 100 mm to 1000 mm cylinder and ruler strokes.
- 63 mm to 160 mm cylinders diameters.
- Carbon and stainless steel materials.

Note: The cylinder and the positioner are not included in BFY-CL.

BFY-CL Weight

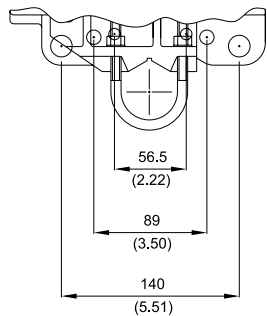
Stroke (mm)	Total Weight (grams)	
	Carbon Steel	Stainless Steel
100	2.230	4.030
125	2.270	4.070
160	2.350	4.150
200	2.410	4.210
250	2.530	4.330
320	2.650	4.450
400	2.840	4.640
500	2.890	4.690
630	3.210	5.010
800	3.430	5.230
1000	3.760	5.560

The dimensions are in mm (in)

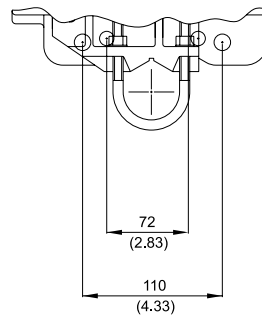


BFY-CL (INOX)
FOR CYLINDER WITH DIAMETERS:
63, 80, 100, 125 and 160 mm

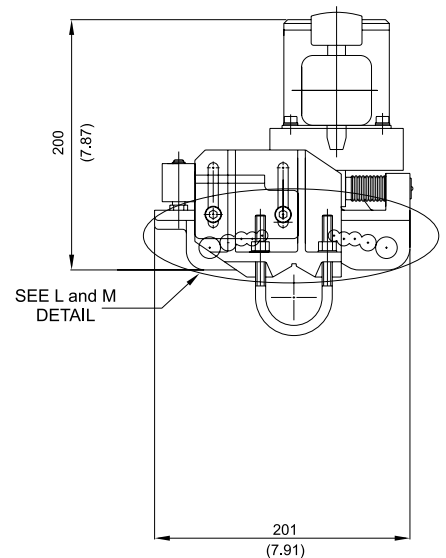
RULER STROKE	"A" Dimensions = RULER TYPES	
	LENGHT	
	Millimeters	Inches
100	260	10.24
125	290	11.42
160	335	13.19
200	383	15.08
250	440	17.32
320	524	20.63
400	659	25.94
500	740	29.13
630	935	36.80
800	1119	44.05
1000	1375	54.13



"L" DETAIL - BFY-CL (SAE-1020)
FOR CYLINDERS WITH DIAMETERS:
63, 100 and 160 mm



"M" DETAIL - BFY-CL (SAE-1020)
FOR CYLINDERS WITH DIAMETERS:
80 and 125 mm



BFY - CL (SAE-1020)

BFY-CL	
COD.	STROKE
1	100 mm
2	125 mm
3	160 mm
4	200 mm
5	250 mm
6	320 mm
7	400 mm
8	500 mm
9	630 mm
A	800 mm
B	1000 mm
Z	Special – See Notes
COD.	MATERIAL
C	Carbon Steel SAE 1020
I	Stainless Steel 316
COD.	CYLINDER DIAMETER
1	63 mm
2	80 mm
3	100 mm
4	125 mm
5	160 mm

BFY-CL	2	I	1
--------	---	---	---

smar
www.smar.com

Specifications and information are subject to change without notice.
Up-to-date address information is available on our website.

web: www.smar.com/contactus.asp

